

WYE TEE 45°

03 Update - 05/2024

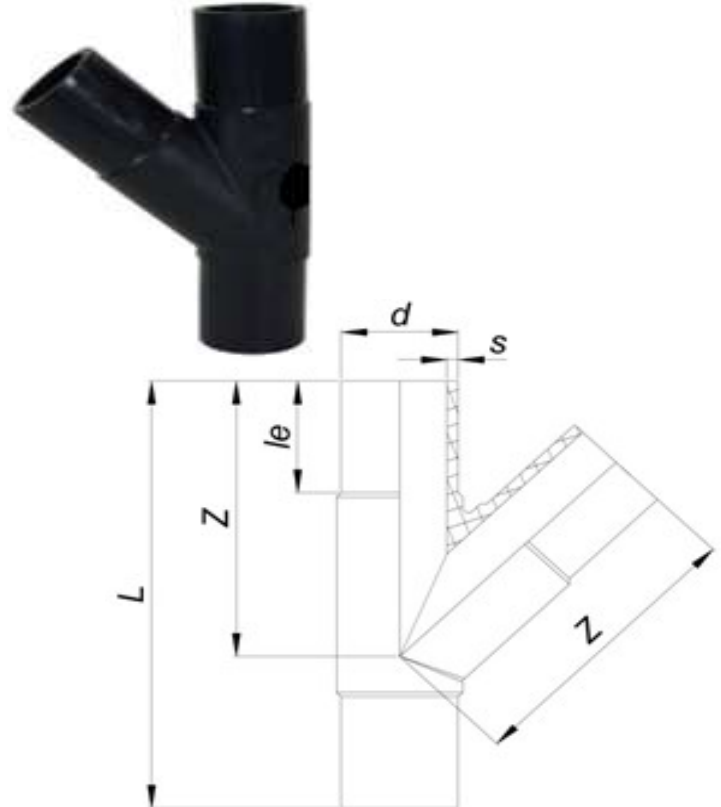
TECHNICAL DATA

Article No	001 117 0045 0110
d (mm)	110
L (mm)	376
le (mm)	87
Z (mm)	251
s (mm)	10,0
Weight (Kg)	1,980
Box Quantity (pcs)	9
Box Dimension (pcs)	48x56x38,5

IDENTIFICATION OF PRODUCT

D(mm)	110
SDR	11
RAW METARIAL	PE 100
PRESSURE CLASS	16 Bar Water 10 Bar Gas
TRADEMARK	NTG
EXECUTION	Injection Moulded
STANDARD	EN 12201-3 EN 1555-3 AS /NZS 4129

INJECTION MOULDED



SPECIFICATION

Long Spigot

Tolerance on diameters and thickness according to the standards. The other dimensions are specialized. Tolerance $\pm 5\%$. NTG PLASTIK reserves all the right to change any information without giving prior notice. The production, distribution and utilization of this document without explicit authorization is prohibited.